

Brilliant Technology™



Inspiring Brilliant Minds

***Brilliant Technology for
Brilliant Teachers.***

BrilliantTech New Portable Visualizer



3330

- ▶ 9x optical and 8x digital zoom
- ▶ DVI port for true digital display
- ▶ Active VGA pass through with sound
- ▶ Built-in LCD screen for easy image viewing
- ▶ High speed auto focus, white balance and color
- ▶ Native 3 megapixel SXGA and WXGA resolution
- ▶ 400 non-volatile internal memory save and recall
- ▶ Built-in Kensington lock to protect your investment
- ▶ Environmentally friendly LED lamps provide perfect lighting
- ▶ Dual USB 2.0 ports and USB thumb drive removable storage
- ▶ Plug and play 2.0 image capture and video recording with sound
- ▶ Image freeze, rotate, split screen, picture in picture and title freeze



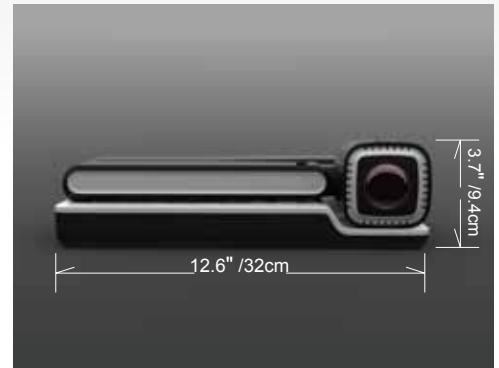
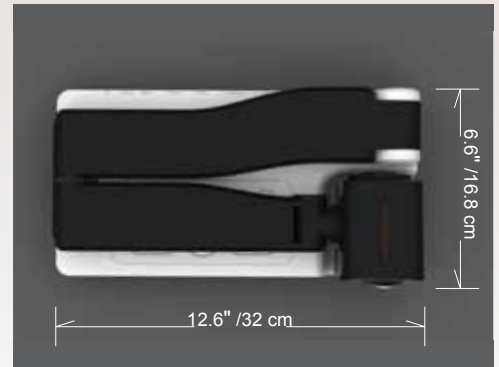
Specifications

BrilliantTech Portable Visualizer

Model No.	i-3330
Sensor	1/3" CMOS
Pixels	3 Megapixel
Zoom	9x optical, 8x digital
Frame rate	25
Shooting area	Max: 13.5" x 10.6" /34.3 cm x 26.9 cm Min: 0.1" x 0.1"/0.3 cm x 0.3 cm
Focus	Auto/manual
Native output signal	SXGA(1280x1024)
Converted output signal	XGA,WXGA
Resolution (Horizontal)	≥750 TV lines
White balance	Auto/manual
Color adjustment	Yes
Brightness adjustment	Yes
Image capture	Yes, 400 NON-volatile images
Video recording	Yes, with sound
Image rotation	90°, 180°, 270°
Image split	Yes
Image freeze	Yes
Picture in picture	Yes
Text mode	Yes
OSD	Yes
INPUT TERMINALS	
VGA	x1
AUDIO	x1
OUTPUT TERMINALS	
DVI	x1
VGA	x1
VIDEO	x1
S-VIDEO	x1
AUDIO	x1
OTHER TERMINALS	
USB2.0	Host×1(Mouse, Memory stick) Slave×1(USB camera/Built-in image download)
USB driver and software	Windows 2000/XP/Vista, Mac OS10.4 or above Driver plug and play
RS232 (computer controllable)	x1
MISCELLANEOUS	
Remote control	Yes(360°controllable)
Kensington lock	Yes
Built-in LCD screen	Yes
Light source	Embedded LED lamp
Operating temperature	32° F to 104° F 0° C to 40° C
Dimensions	Folded: 12.6"×6.6"×3.7" 32cm x 16.8cm x 9.4cm Setup: 19.7"×6.6"×19.3" 50cm x 16.8cm x 49cm
Power supply	12V DC power adapter
Weight(net)	5.5lbs/2.5kg



Folded:



Setup:



Brilliant Technology, LLC
225 West Washington Street
Chicago, Illinois 60606 USA

Toll Free: 1-877-98-Brilliant/1-877-982-7455
Tel: 1-312-348-6070
Fax: 1-248-708-6000
Email: info@brillianttechnology.com
Web: www.brillianttechnology.com



The Eco mark represents BrilliantTechnology's will to create environmentally friendly products, and indicates that the product satisfies the EU RoHS Directive.

